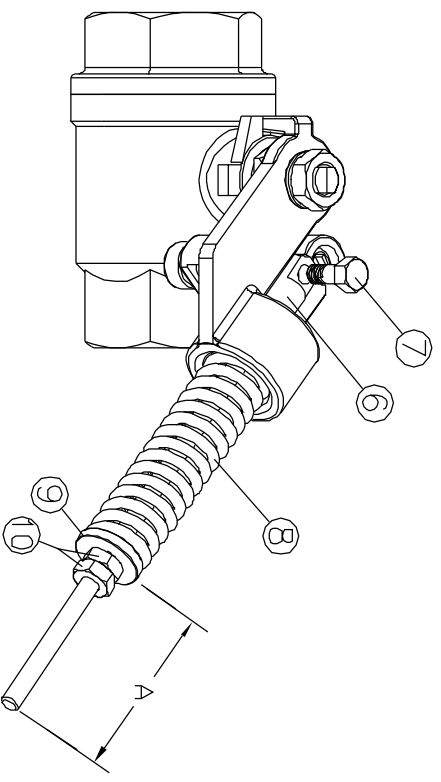
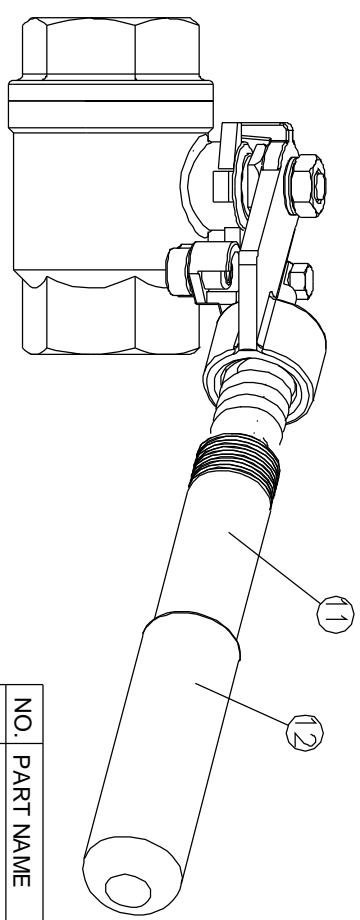
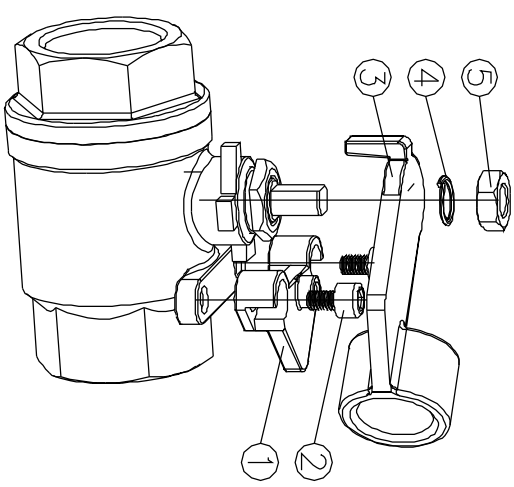


REVISIONS				
ZONE	REV	DESCRIPTION	DATE	APPROVED



NO.	PART NAME	MATERIAL	QTY
1	HANDEL GLAND	CF8	1
2	HANDLE BOLT	SS304	2
3	HANDLE	CF8	1
4	WASHER	SS304	1
5	NUT	SS304	1
6	HANDEL HEX	SS304	1
7	BOLT	SS304	1
8	SPRING	SWP	1
9	WASHER	SS304	1
10	NUT	SS304	2
11	HANDLE	SS304	1
12	HANDLE SLEEVE	VINYL	1

A	
1/4"~1/2" (2B)	25~30MM
3/4"~1" (2B)	30~35MM
1 1/4"~2" (2B)	40~45MM

<p align="center">SHARPE VALVES</p> <p align="center">SPRING-RETURN HANDLE ASSEMBLY</p>			
DWN / DATE: CMR 09/10/04	SIZE	FSCM NO.	DWG NO.
APPD / DATE: CMR 09/10/04	B	NTS	SP-04A
SCALE	NTS	SHEET 1	OF 1
REV	0		