

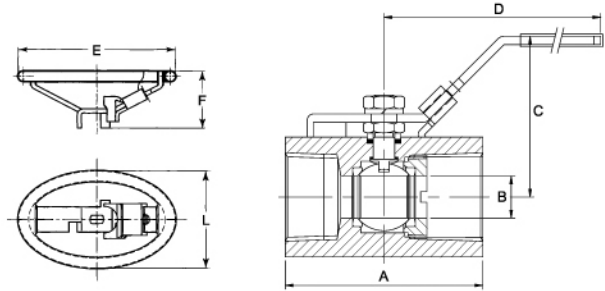
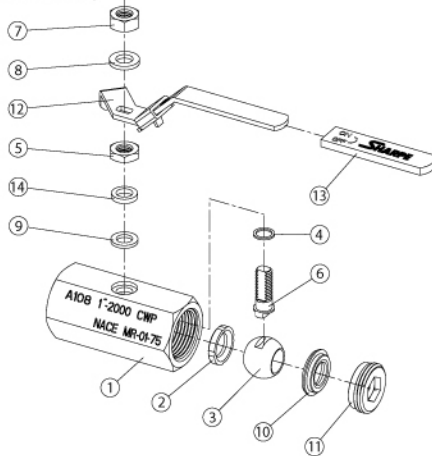
SHARPE® VALVES



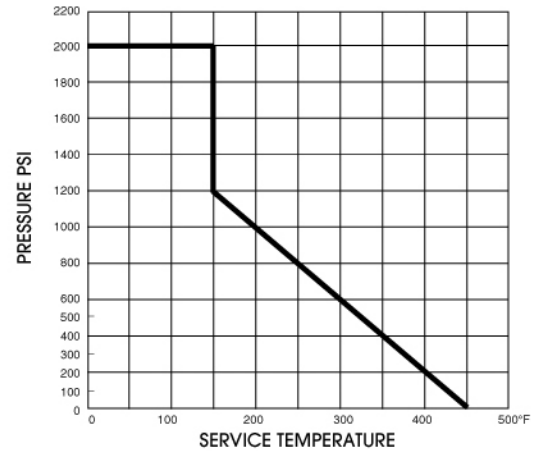
**SERIES 58B7
UNI-BODY BALL VALVE**

SERIES 58B7 UNI-BODY BALL VALVE

ASTM A108
 2000 CWP RATING
 NACE MR-01-75 COMPLAINT
 LOCKING DEVICE
 BLOWOUT PROOF STEM
 STEAM RATING (SATURATED)
 150 WSP



PRESSURE TEMPERATURE RATINGS



VALVE PARTS AND IDENTIFICATION

PART NO.	PART	QTY.	MATERIAL
1	Body	1	ASTM A108 Carbon Steel
2	Seat	2	R.PTFE
3	Ball	1	ASTM A351 CF8/304 Stainless Steel
4	Thrust Washer	1	PTFE
5	Packing Nut	1	AISI 304 Stainless Steel
6	Stem	1	ASTM A276 304 Stainless Steel
7	Handle Nut	1	Zinc Plated Steel
8	Handle Washer	1	Zinc Plated Steel
9	Stem Packing	1	PTFE
10	Gasket	1	PTFE
11	Retainer	1	ASTM A108 Carbon Steel
12	Handle	1	Zinc Plated Steel
13	handle Cover	1	PVC
14	Gland	1	AISI 304 Stainless Steel

DIMENSIONS

SIZE	A	B	C	D	E	L	F	WEIGHT
1/4"	1.74	0.20	1.24	2.76	0.24	1.96	1.22	0.22
3/8"	1.89	0.27	1.28	3.15	0.24	1.96	1.22	0.32
1/2"	2.44	0.35	2.22	4.14	0.32	2.20	1.50	0.70
3/4"	2.76	0.49	2.34	4.14	0.32	2.20	1.50	1.00
1"	3.39	0.59	2.16	4.45	0.32	2.20	1.38	1.55
1-1/4"	3.70	0.78	3.00	5.70	0.32	2.76	1.85	3.40
1-1/2"	4.02	1.00	3.07	5.70	0.32	2.76	1.85	3.25
2"	4.49	1.25	3.26	7.08	0.32	3.30	1.97	5.90

*See Dimensions

HOW TO ORDER

VALVE SIZE	VALVE SERIES	BODY	OPTIONS
1/4" 1"	58B7	4 = Carbon Steel	OH = Oval Handle
3/8" 1-1/4"			
1/2" 1-1/2"			
3/4" 2"			

3/4" 58B7 4 X

SHARPE® VALVES

A Division of Smith-Cooper International, LLC

Toll Free: 1-877-7SHARPE
 (877) 774-2773

Fax: (708) 562-9250

Email: info@sharpevalves.com

www.sharpevalves.com

1260 Garnet Drive

Northlake, Illinois 60164 U.S.A.