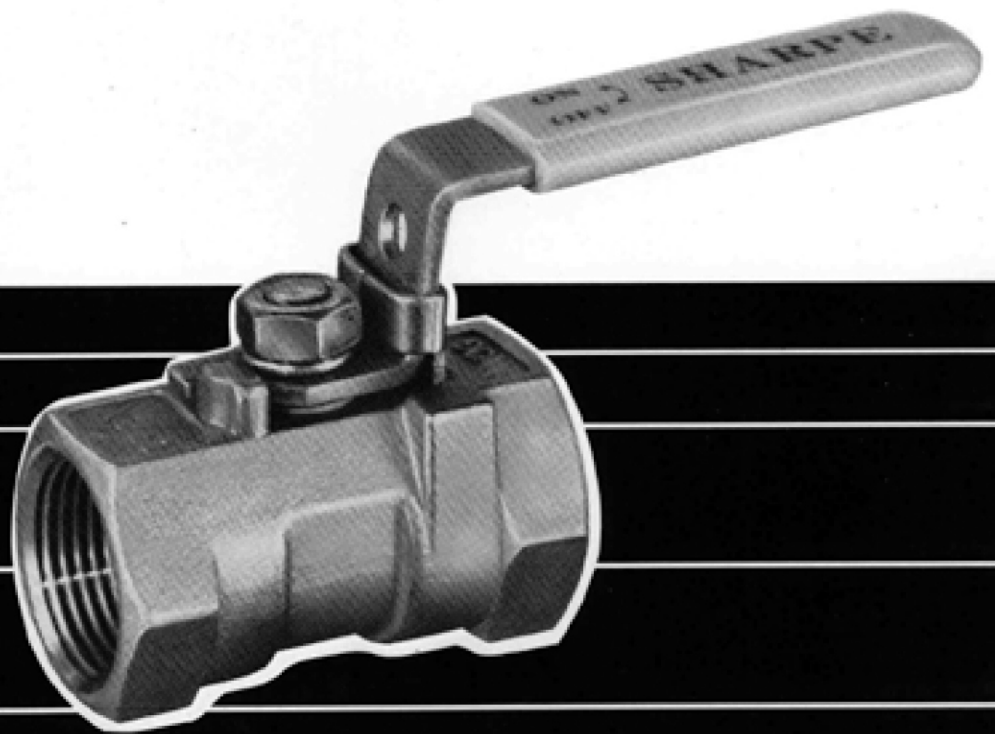


# **SHARPE<sup>®</sup> VALVES**

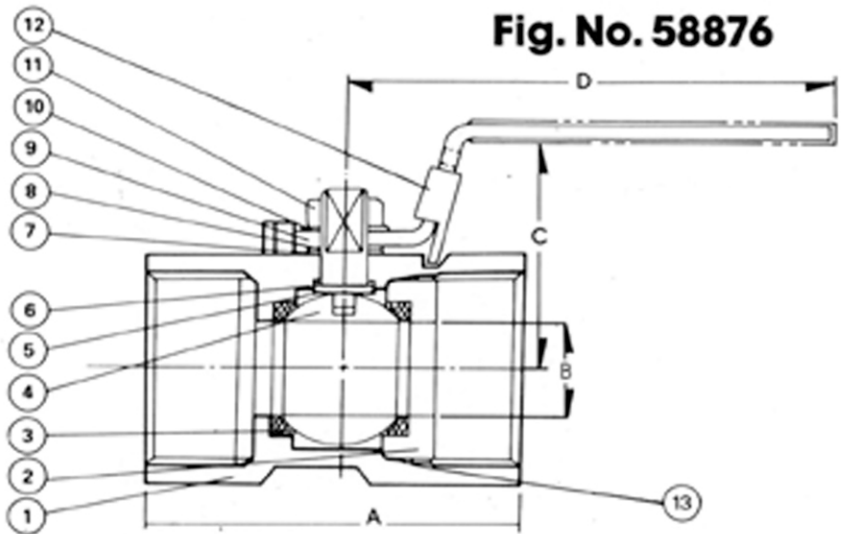
S T A I N L E S S S T E E L



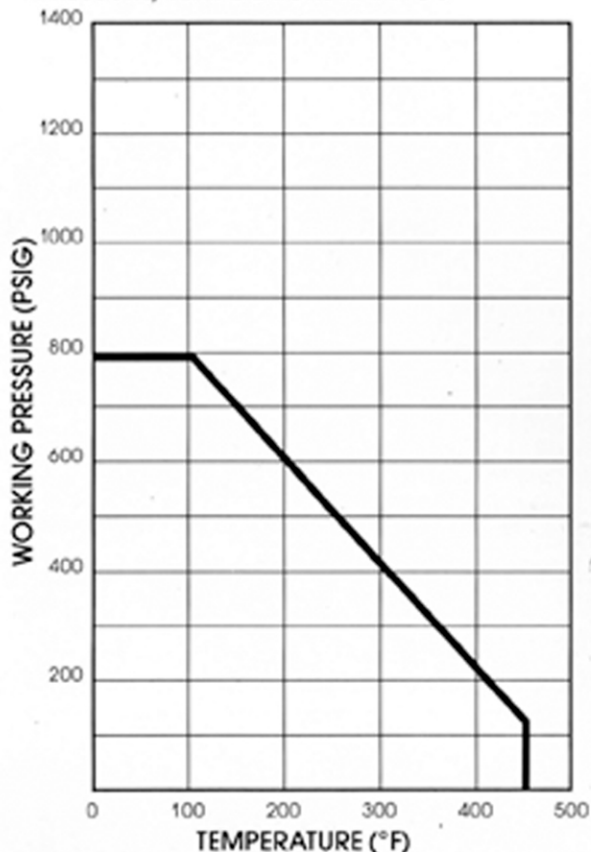
**THREADED REDUCED  
PORT BALL VALVE**

# Threaded Reduced Port Ball Valve

UNIBODY DESIGN  
 ASTM-351  
 800 WOG  
 BLOWOUT PROOF STEM  
 LOCKING DEVICE  
 THREADED ENDS



## PRESSURE/TEMPERATURE RATINGS



## MATERIALS

| NO. | PART           | MATERIAL                         |
|-----|----------------|----------------------------------|
| 1   | BODY           | 316 STAINLESS STEEL              |
| 2   | SEAT RETAINER  | 316 STAINLESS STEEL              |
| 3   | SEAT           | PT.FE.                           |
| 4   | BALL           | 316 STAINLESS STEEL              |
| 5   | STEM           | 316 STAINLESS STEEL              |
| 6   | THRUST WASHER  | PT.FE.                           |
| 7   | GLAND WASHER   | PT.FE.                           |
| 8   | STEM WASHER    | 304 STAINLESS STEEL              |
| 9   | HANDLE         | 304 STAINLESS STEEL/VINYL SLEEVE |
| 10  | SPRING WASHER  | 304 STAINLESS STEEL              |
| 11  | STEM NUT       | AISI 304                         |
| 12  | LOCKING DEVICE | AISI 304                         |
| 13  | BODY SEAL      | PT.FE.                           |

## DIMENSIONS

| SIZE  | A    | B    | C    | D    | APPROX. CV | WEIGHT LBS |
|-------|------|------|------|------|------------|------------|
| 1/4   | 1.53 | 0.20 | 1.27 | 3.14 | 1.0        | 0.15       |
| 3/8   | 1.73 | 0.28 | 1.35 | 3.35 | 2.5        | 0.24       |
| 1/2   | 2.22 | 0.36 | 1.71 | 3.77 | 5.5        | 0.37       |
| 3/4   | 2.28 | 0.50 | 1.85 | 3.77 | 10.0       | 0.55       |
| 1     | 2.80 | 0.63 | 2.16 | 3.97 | 15.5       | 0.95       |
| 1 1/4 | 3.07 | 0.78 | 2.38 | 3.97 | 20.0       | 1.53       |
| 1 1/2 | 3.26 | 0.96 | 2.93 | 5.11 | 37.0       | 1.89       |
| 2     | 3.93 | 1.25 | 3.16 | 5.11 | 60.0       | 3.34       |

CV—The volume of water in Gal./Min. that will pass through a given valve with a pressure drop of 1 PSI.

# SHARPE VALVES

A Division of Smith-Cooper International, LLC

Toll Free: 1-877-7SHARPE  
 (877) 774-2773

Fax: (708) 562-9250

Email: info@sharpevalves.com

www.sharpevalves.com

1260 Garnet Drive

Northlake, Illinois 60164 U.S.A.