

Series 60

Class 2500 Ball Valve

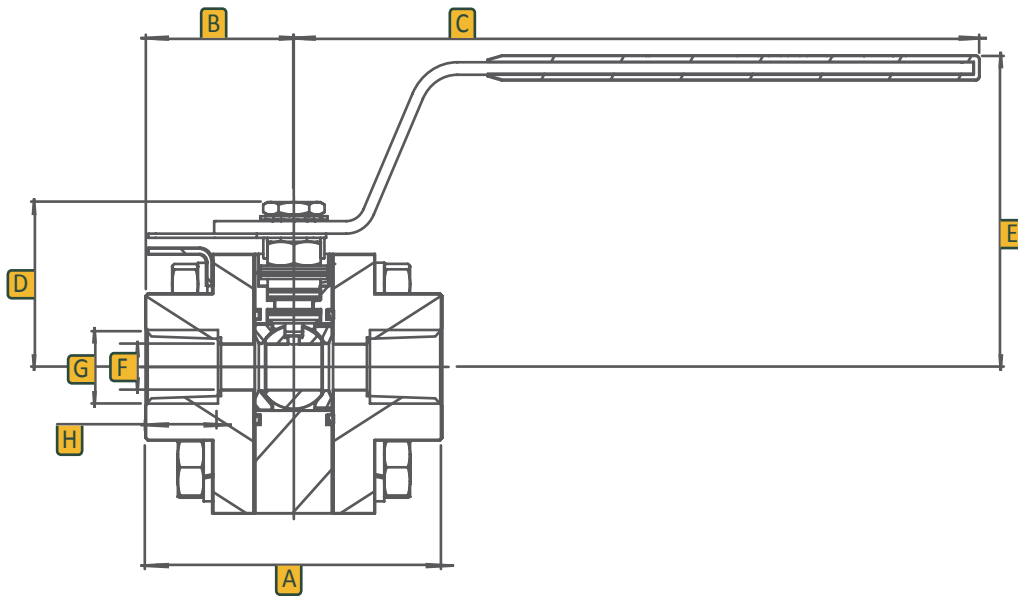
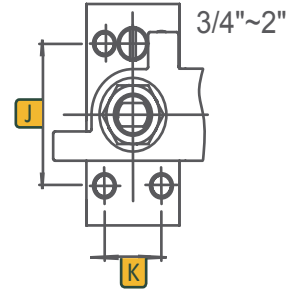
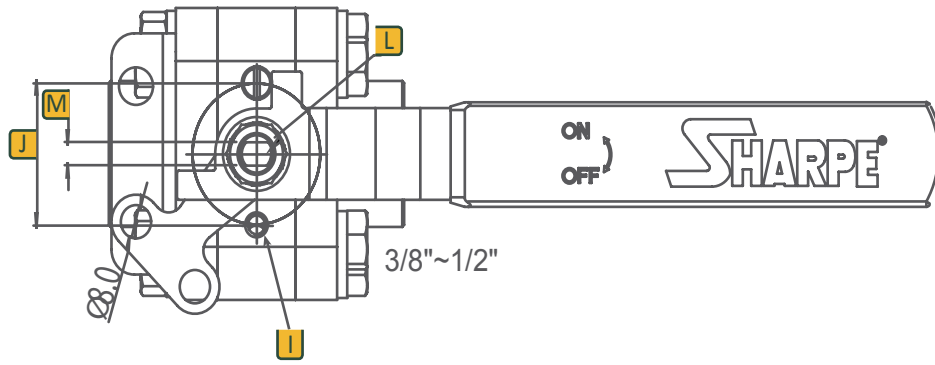


Valves, Automation & Controls

Features

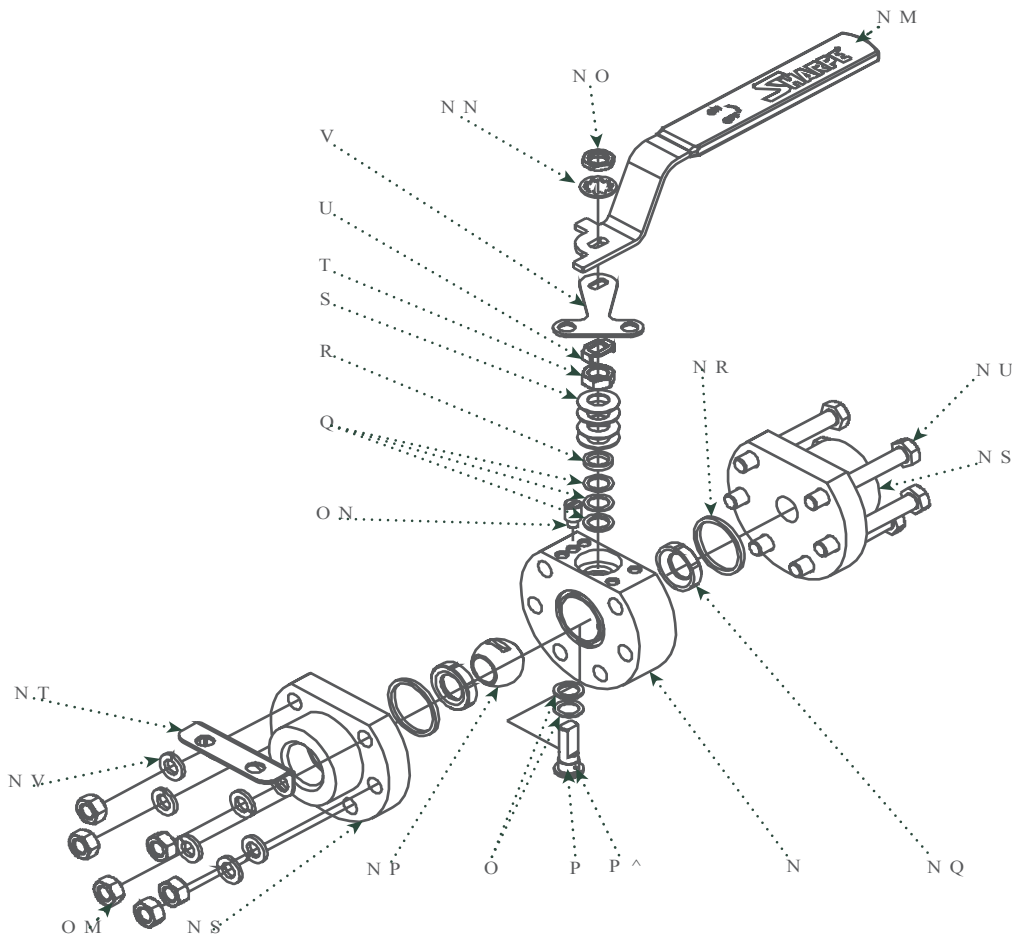
- ASME B16.34 design
- Class 2500
- Blow-out proof stem
- 17-4PH high strength stem
- Anti-static
- Live loaded stem
- Encapsulated body seals
- Locking handle
- Relief slot in seat
- Choice of seats and seals
- ASME B16.11 Threaded & Socket Weld Ends
- ASME B16.25 Butt Weld Ends
- ASME B16.5 Flange Ends





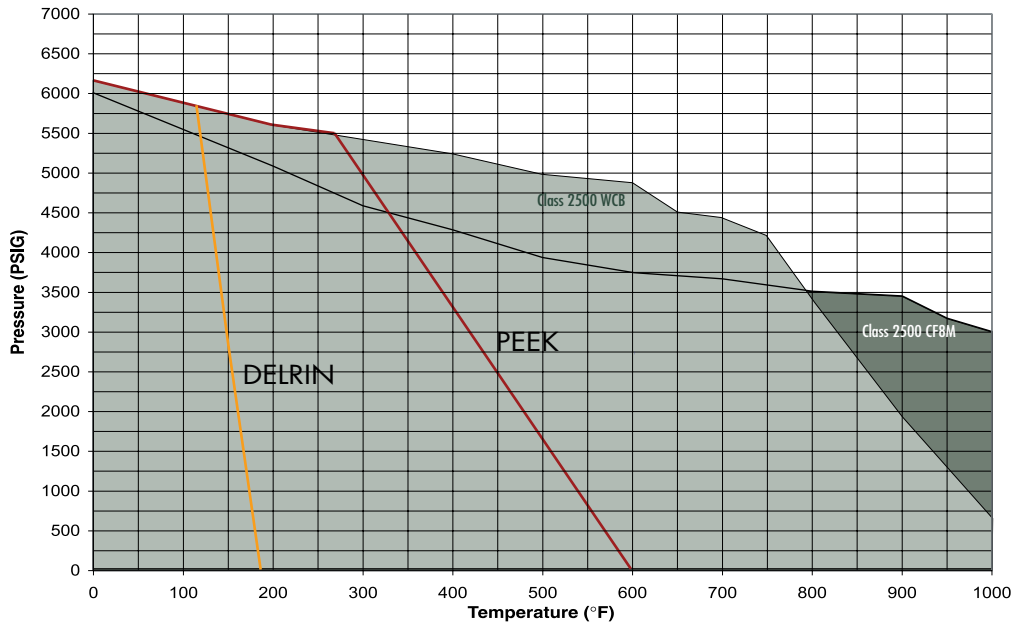
Dimensions (Inches)

Size	A	B	C	D	E	F	G	H	I	J	K	L	M
1/4	3.07	1.53	7.11	1.55	2.93	0.43	0.69	0.74	M5x2	1.34	-	3/8"-24 UNF	0.22
3/8	3.07	1.53	7.11	1.55	2.93	0.43	0.69	0.74	M5x2	1.34	-	3/8"-24 UNF	0.22
1/2	3.07	1.53	7.11	1.55	2.93	0.43	0.85	0.71	M5x2	1.34	-	3/8"-24 UNF	0.22
3/4	3.49	1.74	7.11	1.68	3.06	0.56	1.07	0.63	M5x5	1.34	0.59	3/8"-24 UNF	0.22
1	4.00	2.00	7.69	2.16	2.48	0.81	1.33	0.98	M5x5	1.65	0.94	7/16"-20 UNF	0.22
1-1/2	5.07	2.54	11.53	2.89	3.15	1.25	1.91	0.94	M6x5	1.57	1.42	9/16"-18 UNF	0.30
2	6.14	3.07	11.53	3.08	3.29	1.50	2.41	1.06	M6x5	1.97	1.57	9/16"-18 UNF	0.34



No.	Part Name	Qty	Material
1	Body	1	316 Stainless Steel ASTM A351 CF8M; Carbon Steel ASTM A216 WCB
2	Thrust Bearing	2	Nova, Peek
3	Stem	1	17-4PH
3A	Anti-Static Device	1	316 Stainless Steel
4	Stem Packing	1	Peek
5	Gland Packing	1	316 Stainless Steel
6	Belleville Washer	4	301 Stainless Steel
7	Packing Nut	1	316 Stainless Steel
8	Lock Tab	1	304 Stainless Steel
9	Upper Locking Device	1	304 Stainless Steel
10	Handle	1	304 Stainless Steel
11	Lock Washer	1	304 Stainless Steel
12	Handle Nut	1	304 Stainless Steel
13	Ball	1	316 Stainless Steel
14	Seat	2	Delrin, Peek
15	Body Seal	2	Grafoil, Viton, PTFE
16	Pipe Ends	2	316 Stainless Steel ASTM A351 CF8M; Carbon Steel ASTM A216 WCB
17	Lower Locking Device	1	304 Stainless Steel
18	Body Bolts	6	B8 304 Stainless Steel
19	Body Washers	6	304 Stainless Steel
20	Body Nuts	6	316 Stainless Steel
21	Stop Pins	1	316 Stainless Steel

Class 2500 Temperature / Pressure Rating



Size	Cv	Weight* Lbs
1/4	5	3.55
3/8	8	3.55
1/2	23	3.50
3/4	61	5.30
1	73	9.90
1-1/2	82	21.00
2	150	29.00

* Threaded and Socket Weld Valves

Ordering

Fig: 1 - 1/2 - 60 - 4 - 6 - D - T - TE

Description: 1-1/2" - 60 - Carbon Steel - 17-4PH Trim - Delrin Seat - TFE Seal - Threaded Ends

Size	Series	Body & Ends	Trim	Seat	Seal	Ends	Options
1/4	60	4 Carbon Steel	6 Stainless Steel (17-4PH)	D Delrin	T TFE	TE Threaded	1 ANSI CL1500 RF Flange 1J ANSI CL 1500 RTJ Flange 2 ANSI CL2500 RF Flange 2J ANSI CL2500 RTJ Flange 3 SAE J518 Flange 9 ANSI CL900 Flange E Extended Stem L Lockable Extended Stem D Leak Detection Stem GO Gear Operator
3/8		6 Stainless Steel		P Peek	G Grafoil	SW Socket Weld	
1/2					V Viton	BW Butt-weld (Sch 160)	
3/4						TS Threaded SAE	
1						SWE Extended Socket Weld	
1-1/2							
2							