

Series 40

LUG & WAFER Ball Valve

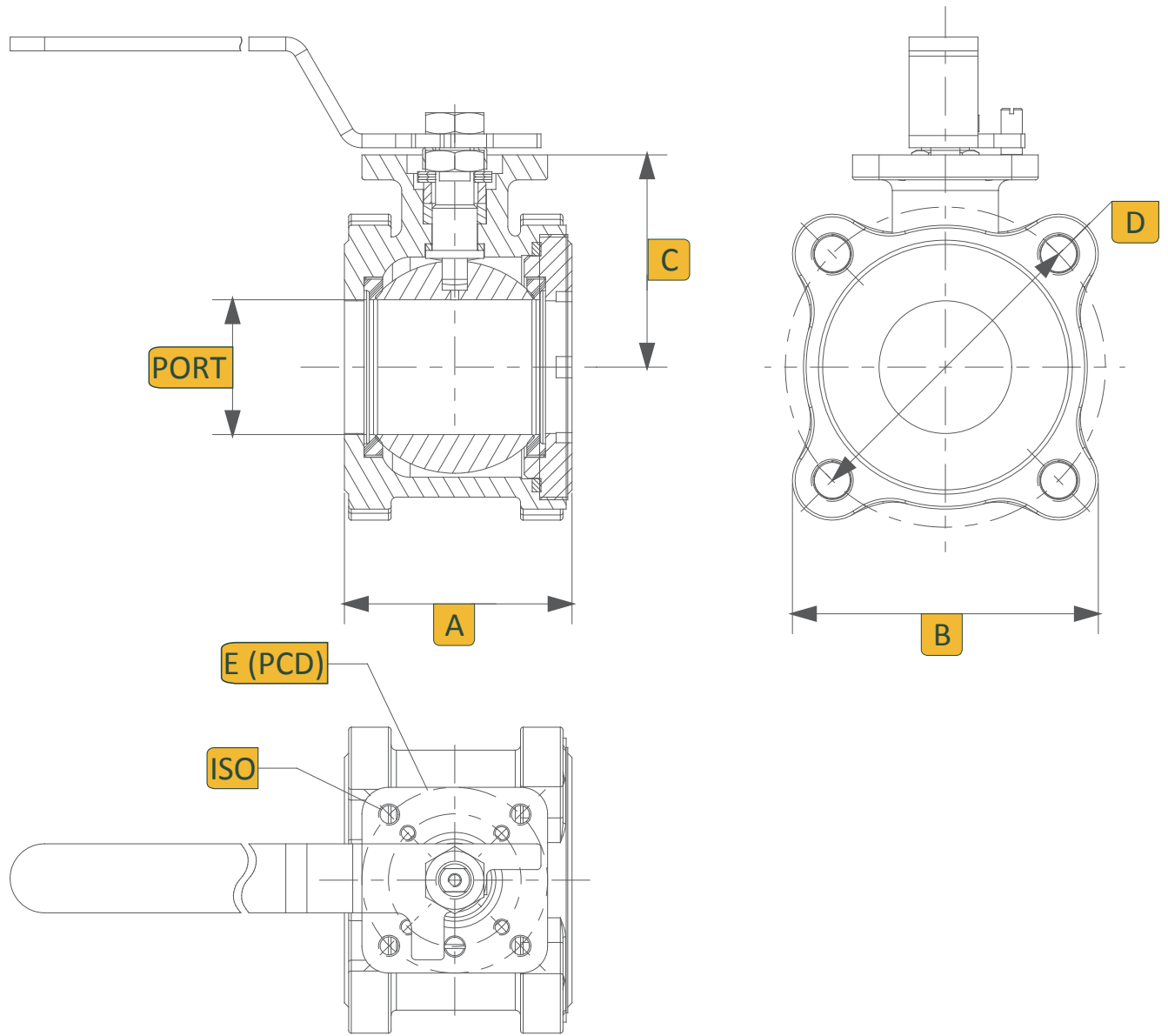
SHARPE[®]

Valves, Automation & Controls

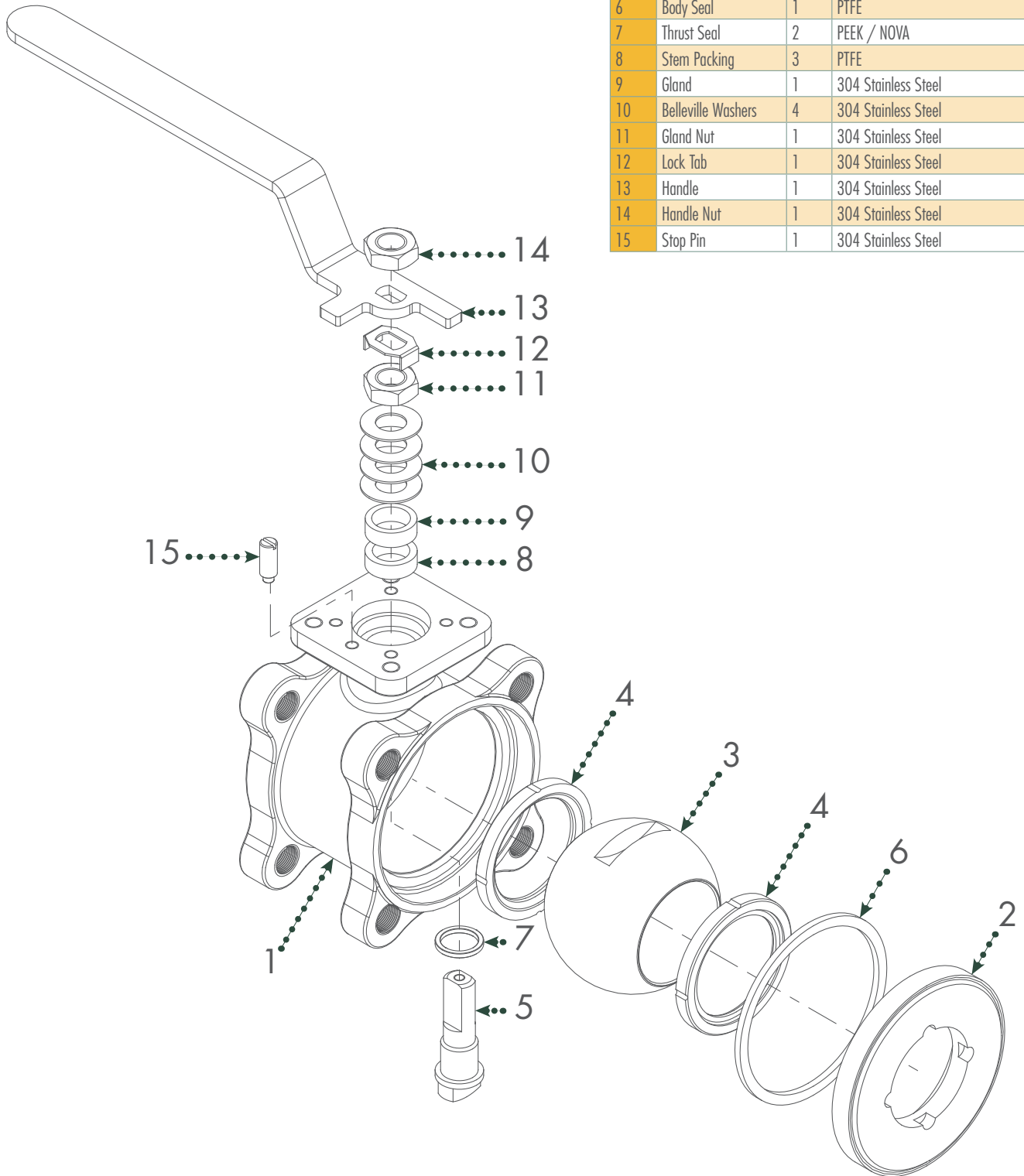
Features

- Full port
- Uni-body design
- Compact weight and space saving design
- Blow-out proof stem
- Live loaded stem packing
- ISO 5211 mounting pad
- ANSI Class 150 ASME B16.5 Lug and wafer ends
- Wall thickness ASME B16.34



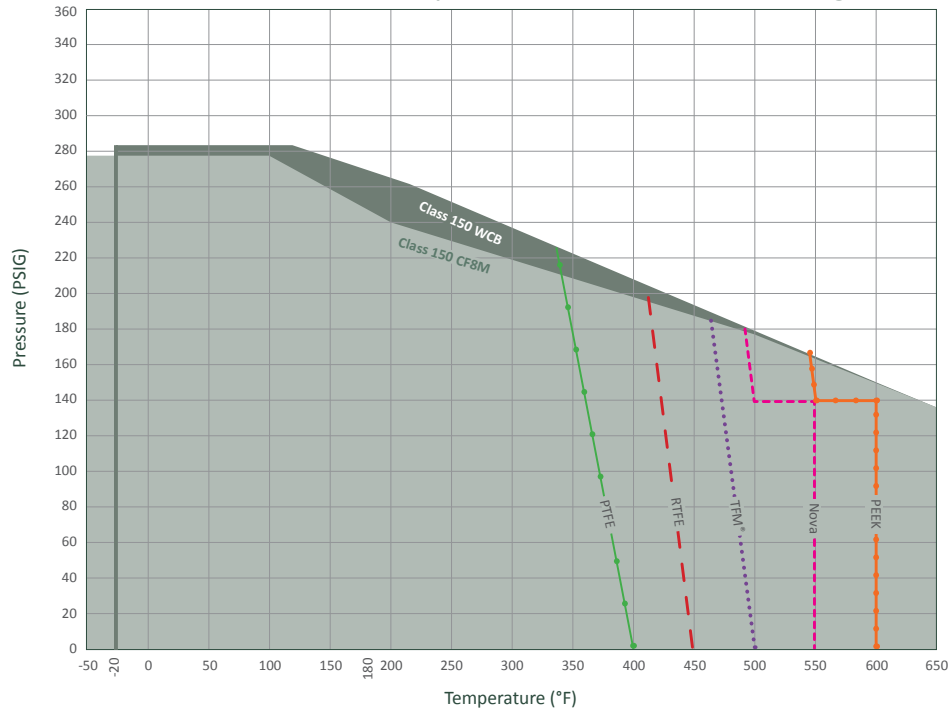


Size	A	B	C	D	E	Port	ISO
2	3.38	4.54	3.15	4.75	1.96 / 2.75	2.00	F05/F07
3	4.99	5.39	3.90	6.00	4.02	3.00	F10
4	6.89	8.03	4.74	7.48	4.02	4.00	F10



No.	Part Name	Qty	Material
1	Body	1	316 Stainless Steel, ASTM A351 CF8M
2	End Cap	1	316 Stainless Steel, ASTM A351 CF8M
3	Ball	1	316 Stainless Steel, ASTM A351 CF8M
4	Seat	2	Nova / RTFE (15% Glass Filled)
5	Stem	1	316 Stainless Steel
6	Body Seal	1	PTFE
7	Thrust Seal	2	PEEK / NOVA
8	Stem Packing	3	PTFE
9	Gland	1	304 Stainless Steel
10	Belleville Washers	4	304 Stainless Steel
11	Gland Nut	1	304 Stainless Steel
12	Lock Tab	1	304 Stainless Steel
13	Handle	1	304 Stainless Steel
14	Handle Nut	1	304 Stainless Steel
15	Stop Pin	1	304 Stainless Steel

Class 150 Temperature / Pressure Rating



Ordering

Fig: 2 - 40W - 11 - 6 - N

Description: 2" - Wafer Style - 150# - 316 Body - Nova Seat

Size	Series	Class	Body	Seat	Options	
2	40W	Wafer	11 150#	2 Alloy 20	R RTFE	L Lockable Extended Stem
3	40L	Lug	3 Monel	N Nova*	7 17-4PH Stem	
4			4 Carbon Steel	T PTFE	A Nace	
			5 Hastelloy C	P PEEK*		
			6 316 Stainless Steel	M TFM		

NOTES:

PTFE standard body seal

*Graphoil body seal with NOVA or PEEK seats