

Series 30276

Gate Valve

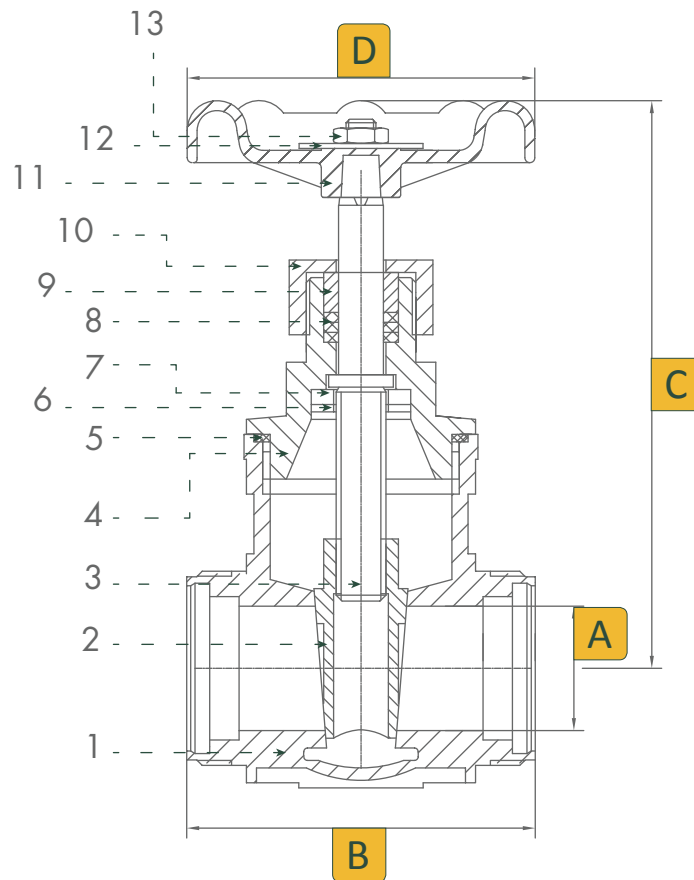
Features

- 200 WOG @ 350 °F
- 316 stainless steel
- Screwed bonnet
- Solid wedge disc
- Non-rising stem
- Hydrostatic shell test at 300 psi
- Hydrostatic seat test at 220 psi
- Threaded or socket weld ends



Valves, Automation & Controls





Dimensions (Inches)

Size	A	B	C	D
1/2	0.59	2.16	4.76	2.76
3/4	0.79	2.36	5.04	2.76
1	0.98	2.68	5.43	3.15
1-1/4	1.26	2.99	6.10	3.15
1-1/2	1.56	3.15	7.36	3.94
2	1.97	3.66	8.50	3.94
2-1/2	2.56	4.60	10.35	4.53
3	3.15	5.12	11.61	4.53

No.	Part Name	Qty	Material
1	Body	1	316 Stainless Steel
2	Core	1	316 Stainless Steel
3	Bonnet	1	316 Stainless Steel
4	Packing	1	PTFE
5	Gland Nut	1	304 Stainless Steel
6	Hand Wheel	1	Aluminum
7	Name Plate	1	Aluminum
8	Nut	1	304 Stainless Steel
9	Stem	1	316 Stainless Steel
10	Metal Padding	1	304 Stainless Steel
11	Washer	1	316 Stainless Steel
12	Seal	1	PTFE

Ordering

Fig: 1 - 30276 - SW

Description: 1" - Stainless Steel Gate - Socket Weld

Size	Series	Ends
1/2	30276	TE Threaded
3/4		SW Socket Weld
1		
1-1/4		
1-1/2		
2		
2-1/2		
3		

Due to continuous development of our product range, we reserve the right to change the dimensions and information for this product as required.

Series 40276

Globe Valve

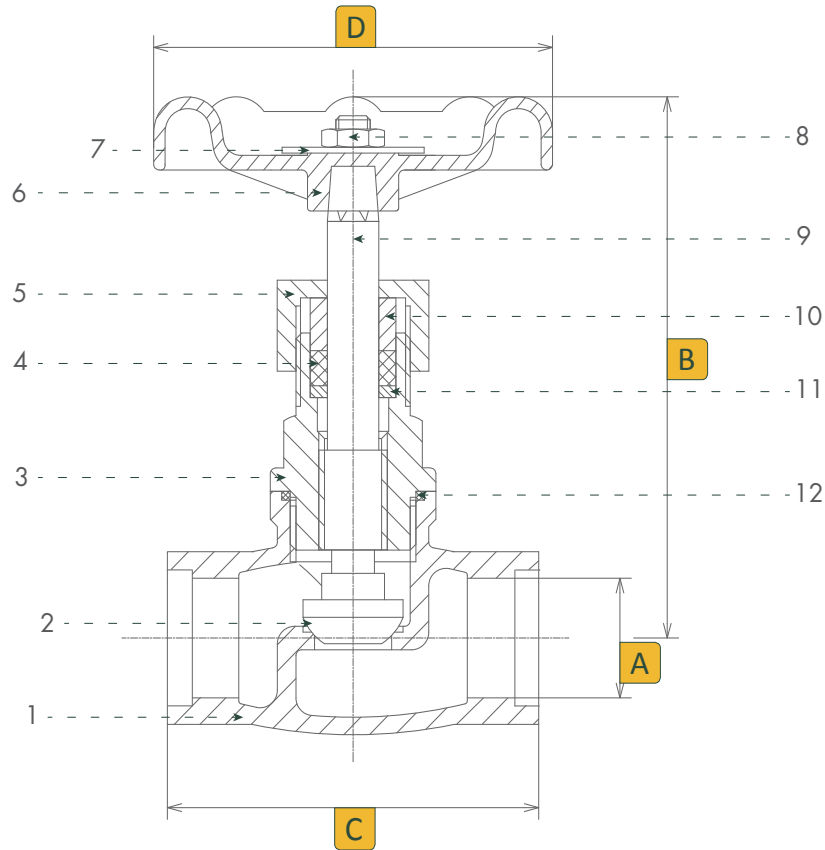
Features

- 200 WOG @ 350 °F
- 316 stainless steel
- Screwed bonnet
- Non-rising stem
- Hydrostatic shell test at 300 psi
- Hydrostatic seat test at 220 psi



Valves, Automation & Controls





Dimensions (Inches)

Size	A	B	C	D
1/4	0.40	2.01	4.41	2.76
3/8	0.49	2.01	4.41	2.76
1/2	0.59	2.56	4.21	2.76
3/4	0.79	2.95	4.59	2.76
1	0.98	3.54	5.16	3.15
1-1/4	1.26	4.13	5.67	3.15
1-1/2	1.57	4.65	6.46	3.94
2	1.97	5.43	6.93	3.94

No.	Part Name	Qty	Material
1	Body	1	316 Stainless Steel
2	Core	1	316 Stainless Steel
3	Bonnet	1	316 Stainless Steel
4	Packing	1	PTFE
5	Gland Nut	1	304 Stainless Steel
6	Hand Wheel	1	Aluminum
7	Name Plate	1	Aluminum
8	Nut	1	304 Stainless Steel
9	Stem	1	316 Stainless Steel
10	Metal Padding	1	304 Stainless Steel
11	Washer	1	316 Stainless Steel
12	Seal	1	PTFE

Ordering

Fig: 1 - 40276 - SW
Description: 1" - Series 40276 - Socket Weld

Size	Series	Ends
1/4	40276	TE Threaded
3/8		SW Socket Weld
1/2		
3/4		
1		
1-1/4		
1-1/2		
2		

Due to continuous development of our product range, we reserve the right to change the dimensions and information for this product as required.

Series 20276

Swing Check Valve

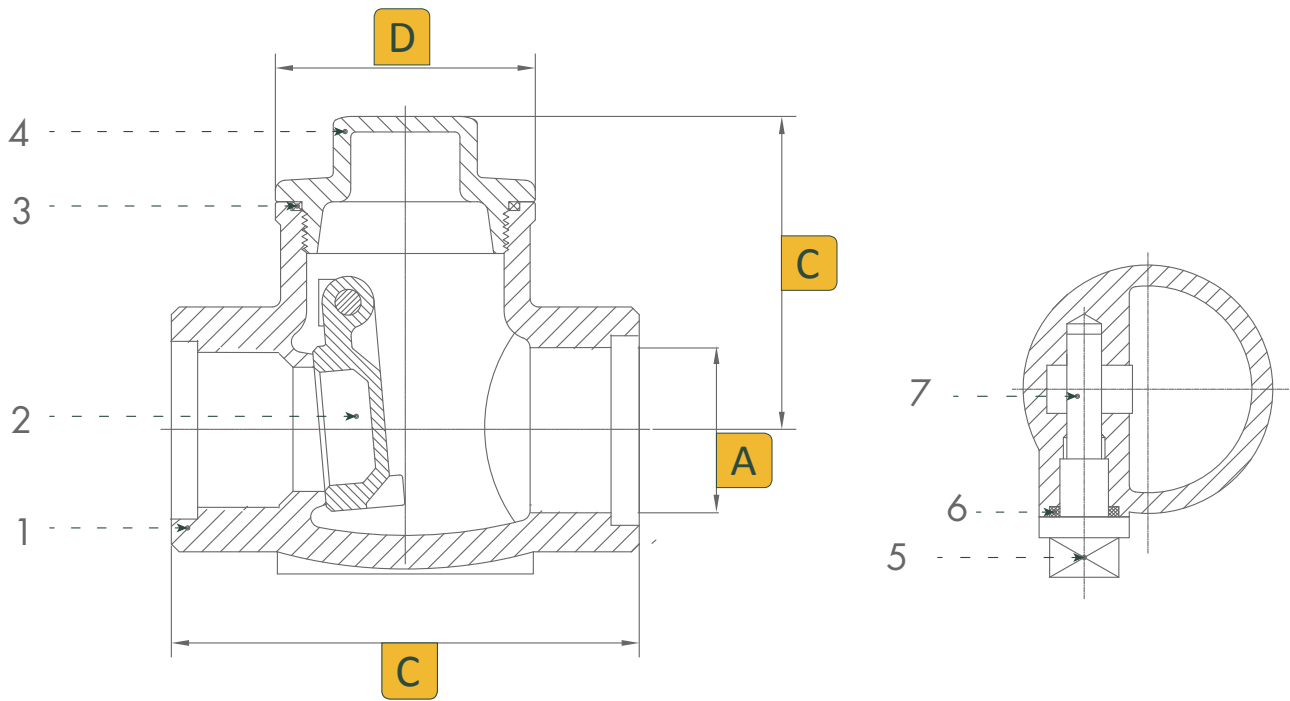
Features

- 200 WOG @ 350 °F
- 316 stainless steel
- Screwed cap
- Threaded or socket weld ends



Valves, Automation & Controls





Dimensions (Inches)

Size	A	B	C	D
1/4	0.39	2.56	1.89	0.95
3/8	0.49	2.56	1.89	0.95
1/2	0.59	2.56	1.89	0.95
3/4	0.79	2.95	2.10	1.10
1	0.98	3.54	2.22	1.42
1-1/4	1.26	4.13	2.81	1.58
1-1/2	1.50	4.72	2.90	1.97
2	1.97	5.51	3.20	2.12
2-1/2	2.48	6.14	3.56	2.95
3	2.99	7.40	3.96	3.35

No.	Part Name	Qty	Material
1	Body	1	316 Stainless Steel
2	Disc	1	316 Stainless Steel
3	Seal	1	PTFE
4	Bonnet	1	316 Stainless Steel
5	Plug	1	316 Stainless Steel
6	Seal	1	PTFE
7	Pin	1	316 Stainless Steel

Ordering

Fig: 1 - 20267 - SW
Description: 1" - Series 20276 - Socket Weld

Size	Series	Ends
1/4	20276	TE Threaded
3/8		SW Socket Weld
1/2		
3/4		
1		
1-1/4		
1-1/2		
2		
2-1/2		
3		

Due to continuous development of our product range, we reserve the right to change the dimensions and information for this product as required.