

Series 3903

3-Piece Ball Valve

SHARPE[®]

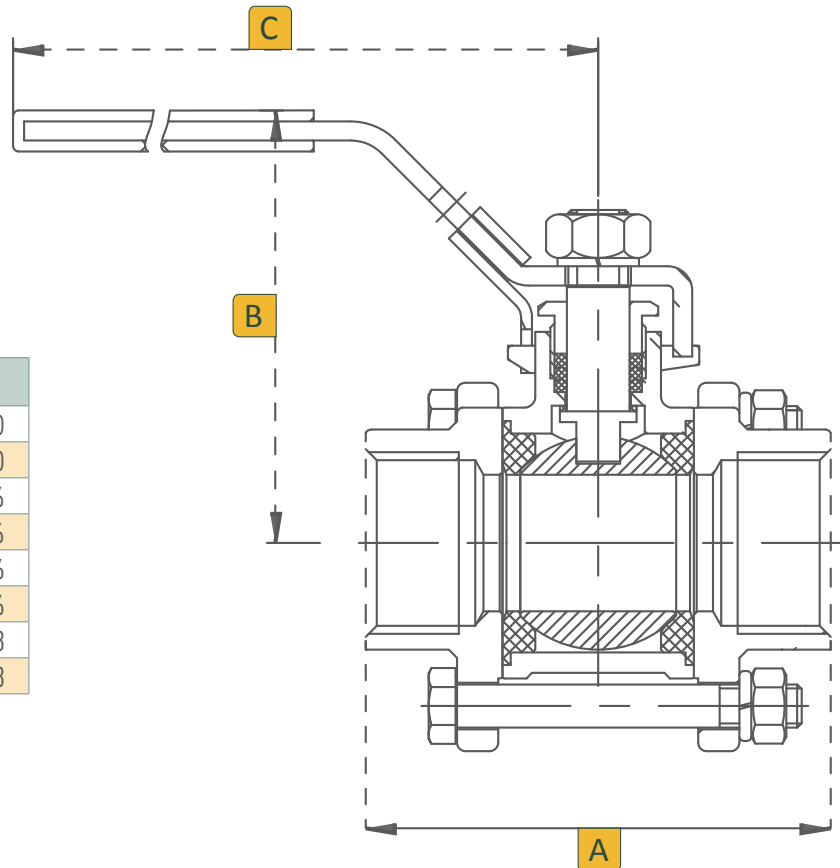
Valves, Automation & Controls

Features

- 3-Piece Design
- Full Port
- 1000 WOG
- Blow-out proof stem
- Locking device
- ASME B16.11 socket weld and threaded ends
- ASME B16.34 shell & seat test
- Lockable Optional oval handle



Dimensions

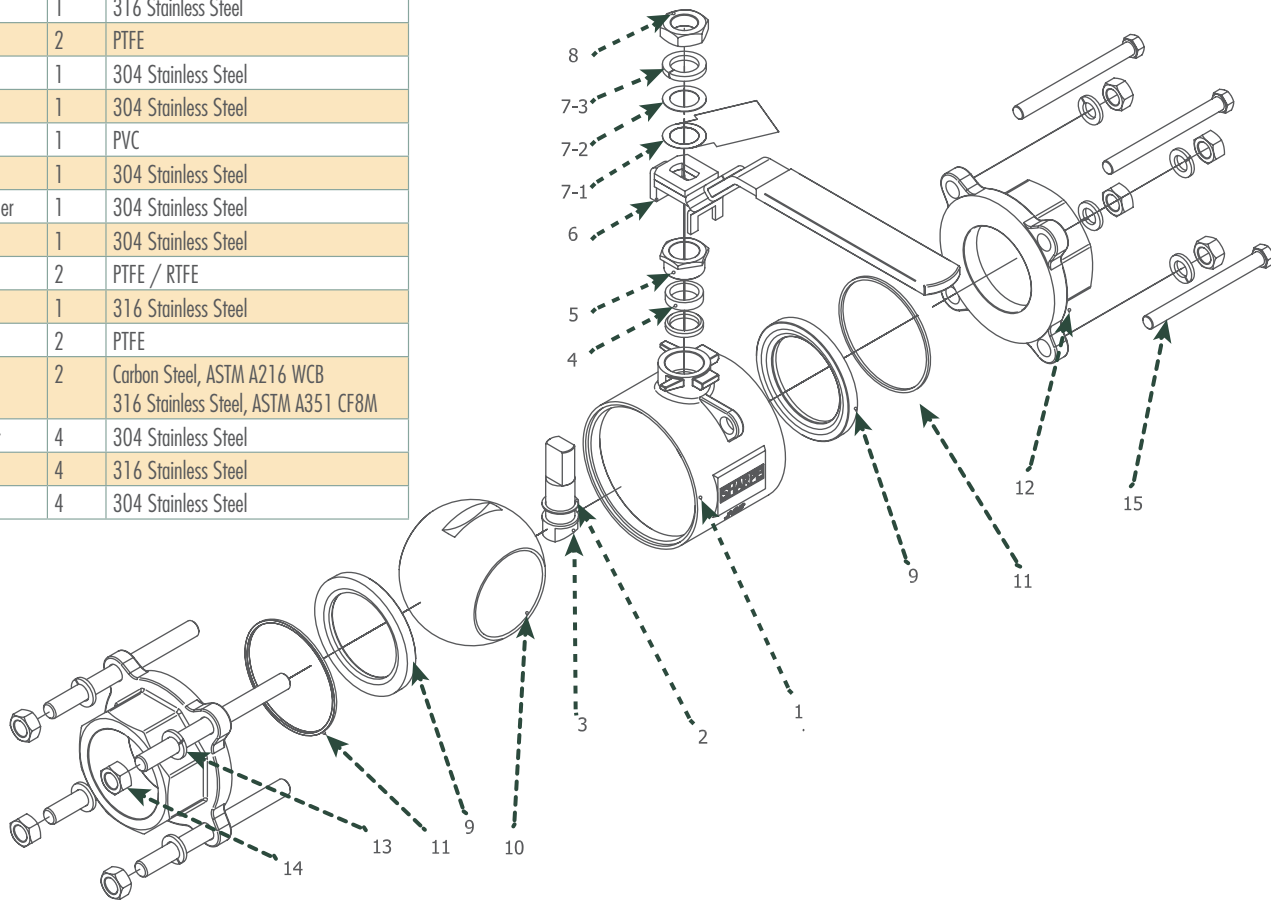


Dimensions (Inches)

Size	A	B	C
1/4	2.28	2.20	4.10
3/8	2.28	2.20	4.10
1/2	2.48	2.54	4.96
3/4	2.87	2.66	4.96
1	3.35	3.11	6.06
1-1/4	3.78	3.29	6.06
1-1/2	4.49	3.62	7.28
2	5.28	3.90	7.28

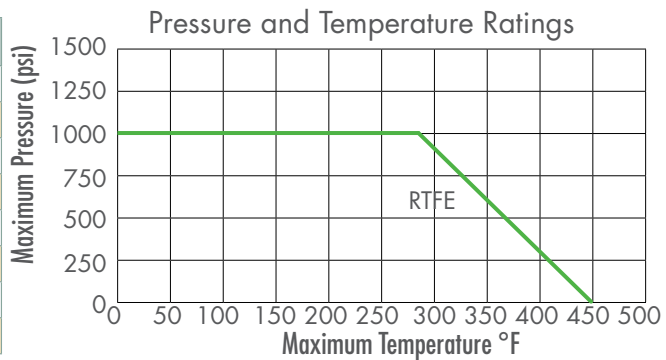
Parts & Materials

No.	Part Name	Qty	Material
1	Body	1	Stainless Steel ASTM A351 CF8M Carbon Steel ASTM A216 WCB
2	Thrust Washer	1	PTFE
3	Stem	1	316 Stainless Steel
4	Stem Seal	2	PTFE
5	Gland	1	304 Stainless Steel
6	Handle	1	304 Stainless Steel
7-1	Name Tag	1	PVC
7-2	Plain Washer	1	304 Stainless Steel
7-3	Handle Washer	1	304 Stainless Steel
8	Handle Nut	1	304 Stainless Steel
9	Seat	2	PTFE / RTFE
10	Ball	1	316 Stainless Steel
11	Body Seal	2	PTFE
12	End Cap	2	Carbon Steel, ASTM A216 WCB 316 Stainless Steel, ASTM A351 CF8M
13	Body Washer	4	304 Stainless Steel
14	Body Nuts	4	316 Stainless Steel
15	Body Bolts	4	304 Stainless Steel



Technical Information

Size	Cv	Weight/lbs
1/4	20	0.6
3/8	25	0.7
1/2	28	1.1
3/4	50	1.4
1	70	2.0
1-1/4	112	2.8
1-1/2	170	4.2
2	395	7.3



Ordering

Size		Series	Body & Ends		Ends		Options	
1/4	1-1/2	3903	4	Carbon Steel	TE	Threaded	OH	Oval Handle
3/8	2		6	316 Stainless Steel	SW	Socket Weld		
1/2								
3/4								
1								
1-1/4								

Fig: 1/2 - 3903 - 6 - TE
Description: 1/2" - Series 3903 - 316 Body - Threaded