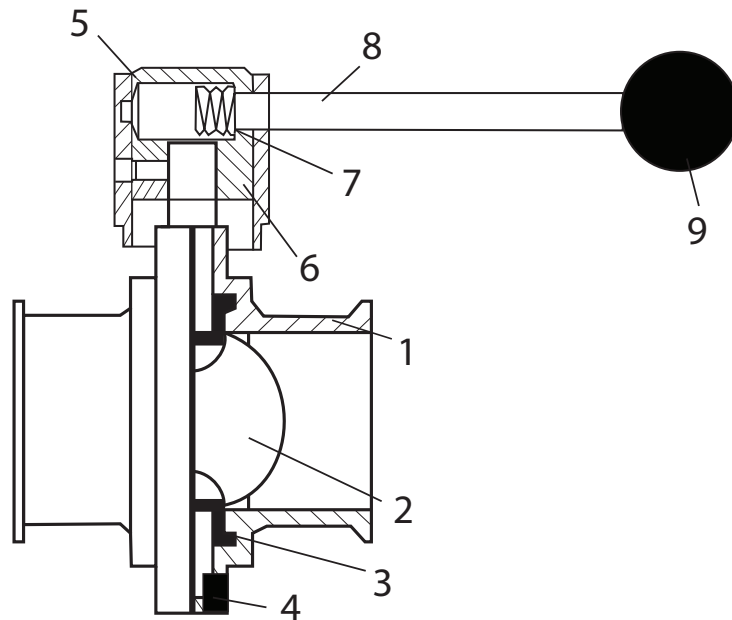


SHARPE® VALVES



SERIES 15
SANITARY BUTTERFLY VALVE

**SERIES 15
SANITARY BUTTERFLY**

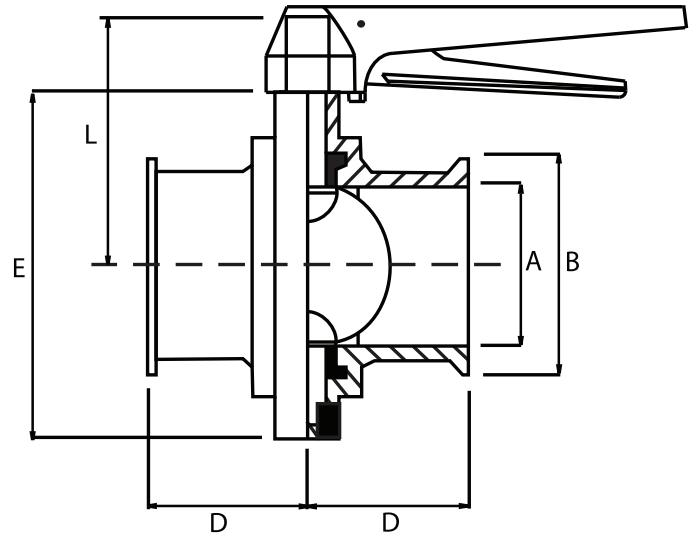


PART NO.	PART	QTY.	MATERIAL
1	Body	2	304 Stainless Steel / 316L Stainless Steel
2	Disc & Stem	1	304 Stainless Steel / 316L Stainless Steel
3	Seat	1	EPDM / Silicone / Viton®
4	Bolts	4/6	304 Stainless Steel
5	Handle Housing	1	304 Stainless Steel
6	Sleeve	1	304 Stainless Steel
7	Spring	1	304 Stainless Steel
8	Handle	1	304 Stainless Steel
9	Knob	1	Plastic

* Valve shown with 4 position pull handle.

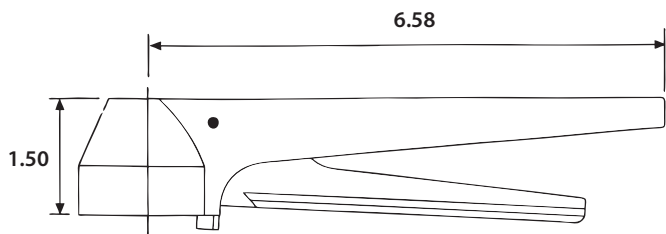
- All wetted parts approved for use in food and beverage processing.
 - All wetted parts polished to 180 grit.
 - Standard material 304 Stainless Steel
Option material 316L Stainless Steel
 - Variety of sanitary end connections.
Tri-Clamp® Butt weld end (short & extended), male threaded.
 - Choice of seats, EPDM, Silicone or Viton®.
 - Valves inspected and tested to API 598.
-

SERIES 15 DIMENSIONS

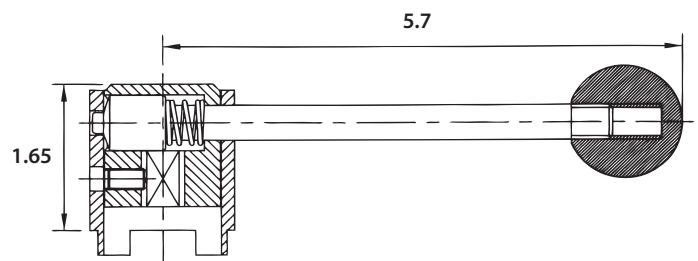


Nominal Tube Size Inches	A In	B In	D In	E In	L In
1	0.87	1.984	1.75	3.11	2.40
1-1/2	1.37	1.984	1.75	3.35	2.53
2	1.87	2.527	1.87	4.13	2.93
2-1/2	2.37	3.047	1.91	4.41	3.06
3	2.84	3.579	2.03	4.92	3.34
4	3.83	4.681	2.03	6.18	4.00

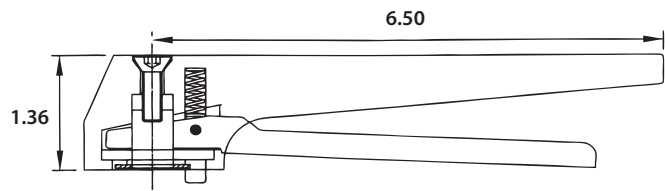
12 POSITION GRIPPER HANDLE

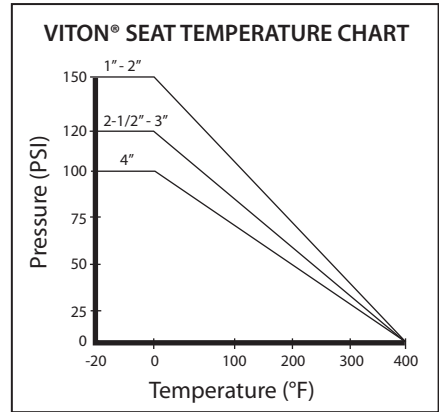
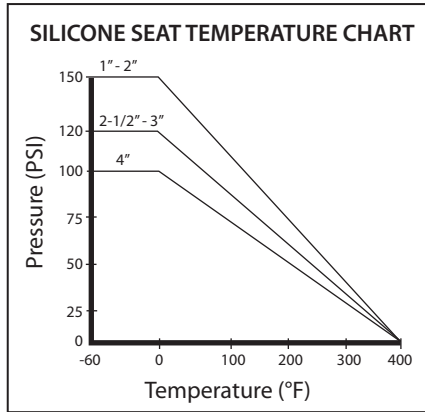
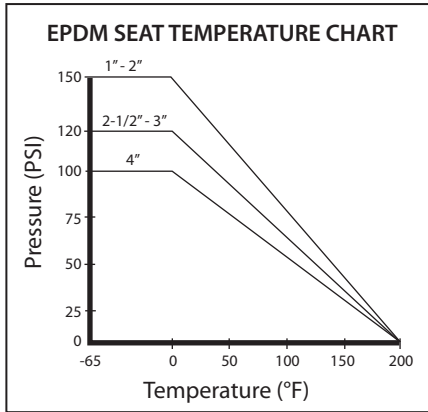


4 POSITION PULL HANDLE



2 POSITION GRIPPER HANDLE





VALVE SIZE	BREAK AWAY TORQUE IN / LBS
1"	115
1-1/2"	115
2"	141
2-1/2"	158
3"	202
4"	300

HOW TO ORDER

VALVE SIZE	VALVE SERIES	BODY MATERIALS	SEATS	END CONNECTION	SURFACE FINISH	ACTUATOR
1"	15	4 = 304 Stainless Steel	E = EPDM	CC = Tri Clamps®	1 = 20 Ra	1 = 12 Position Handle
1-1/2"		6 = 316L Stainless Steel	S = Silicone	BB = Butt weld	2* = 25 Ra	2 = 2 Position Handle
2"			V = Viton®	EE = Extended Butt weld	4 = 15 Ra	3 = Stainless Steel Handle (12 Position)
2-1/2"				MM = Male Threaded	5 = 20 Ra Electro Polish	4 = 4 Position Pull Handle
3"				CB = Clamp x Butt weld		5 = Bare Stem
4"					6 = Gear Operator	

1" 15 4 E CC 2 1

* Standard Finish = 2

Tri Clamp® is a registered trademark of Alfa Laval, Inc.
 Viton® is a registered trademark of E. I. DuPont.

SHARPE® VALVES
 A Division of Smith-Cooper International, LLC

**Toll-Free 1-877-7SHARPE
 (877) 774-2773**

Fax: (708) 562-9250
 E-Mail: info@sharpevalves.com
 www.sharpevalves.com
 1260 Garnet Drive
 Northlake, Illinois 60164 U.S.A.